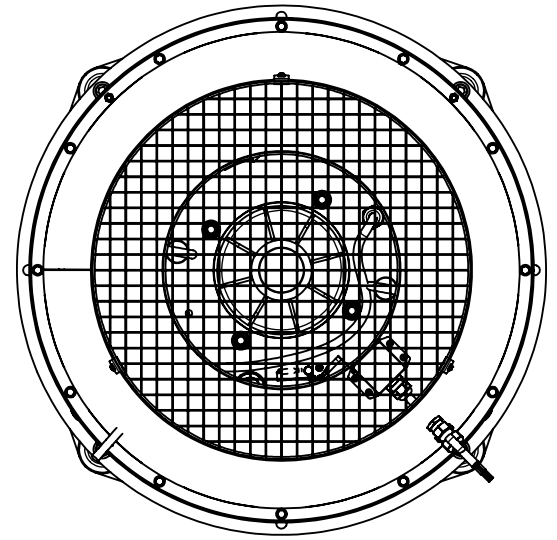
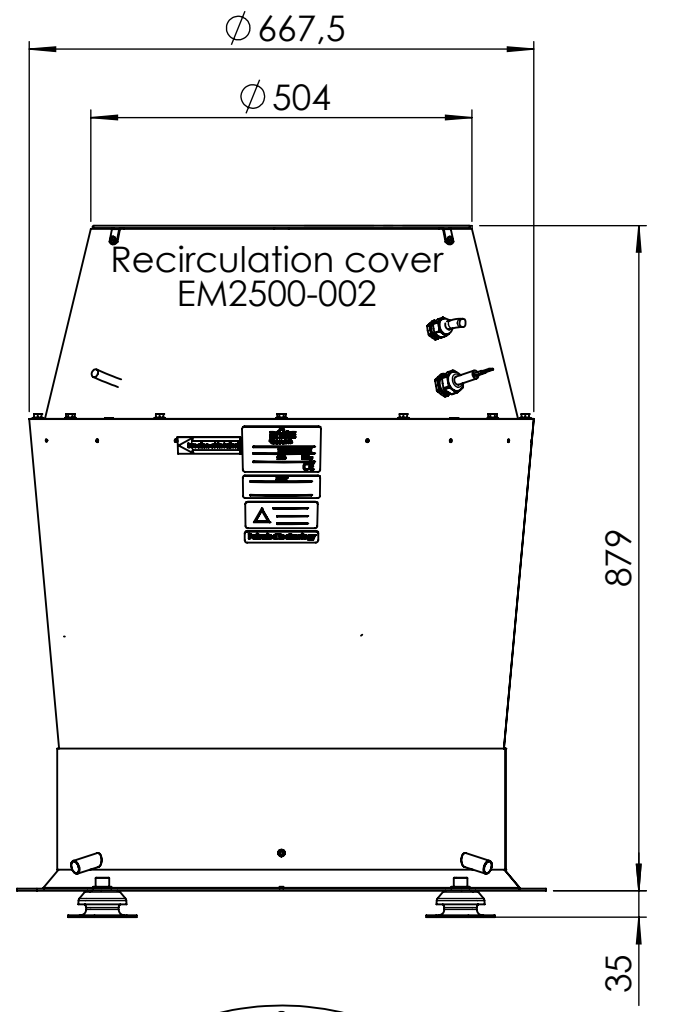
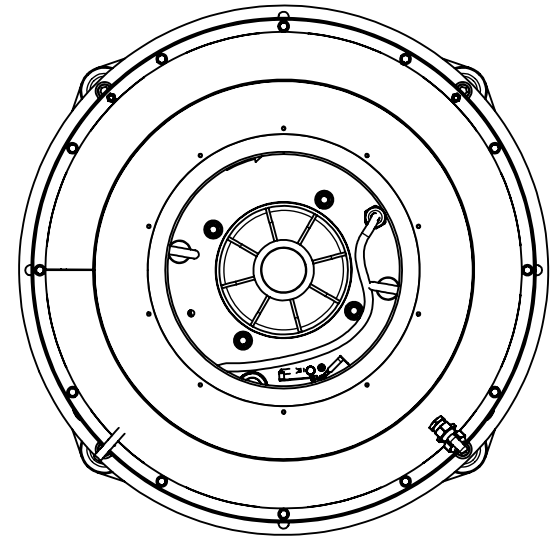
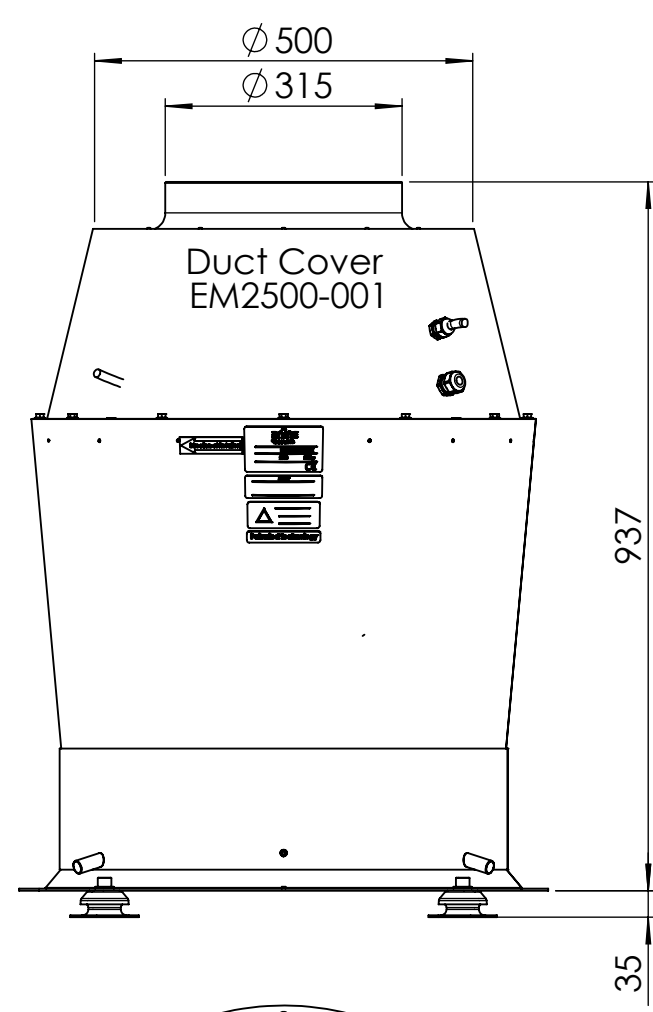
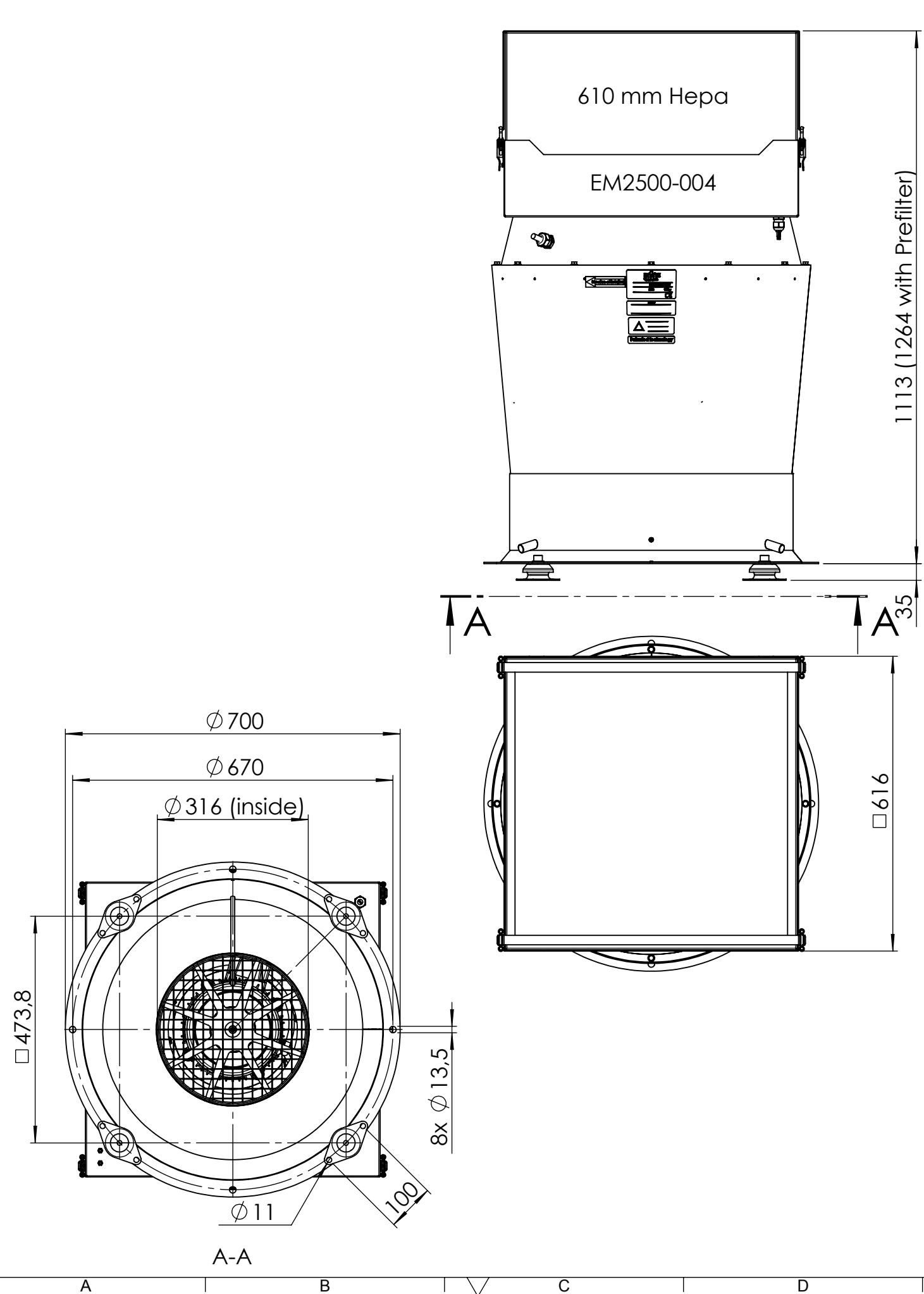


This document is property of 3nine AB, and may not without our written permission be copied, imparted to a third party or used for any unauthorized purpose.



Surface conditioning	Heat treatment	Scale
General tolerance SS-ISO 2768	General roughness, Ra	1:10
Drawn 061016 Sign JSg	Denomination	Emma alternatives Dimension drawing
Check. Sign		
<b>3nine</b>	Article nr.	Drawing nr. Sheet 1 of 1 Mod.
		EM460-196 A

6  
5  
4  
3  
2  
1