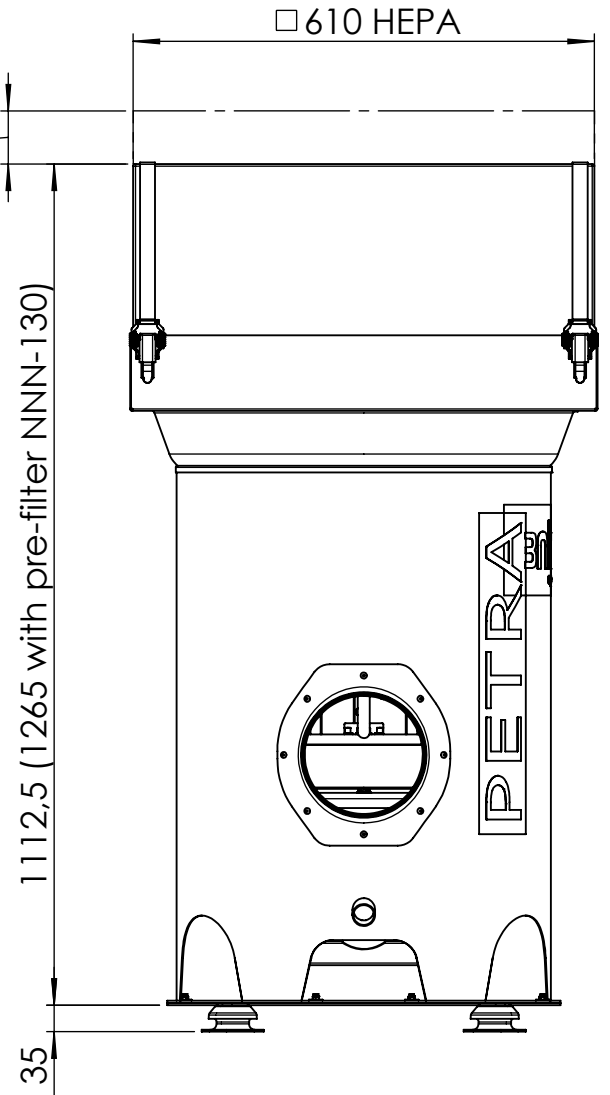
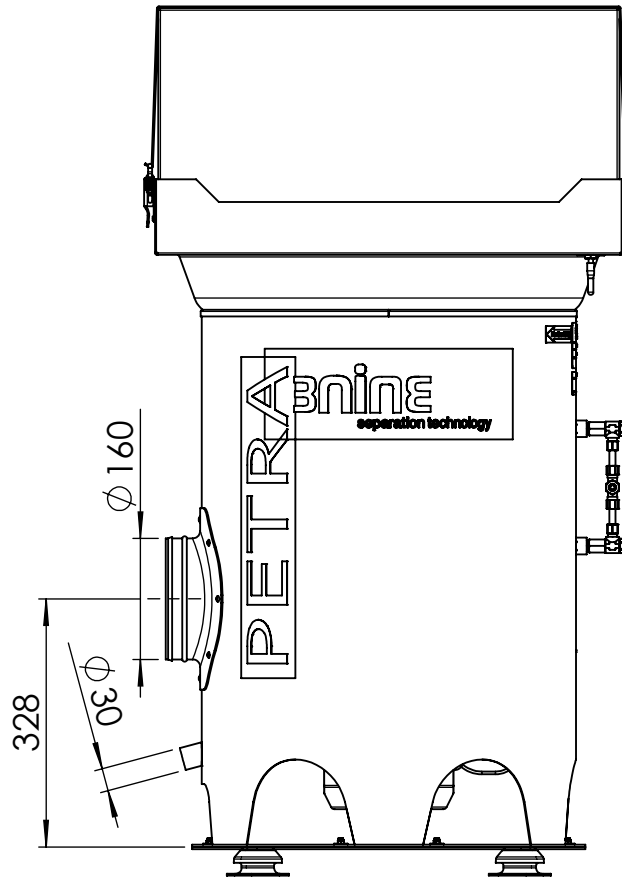
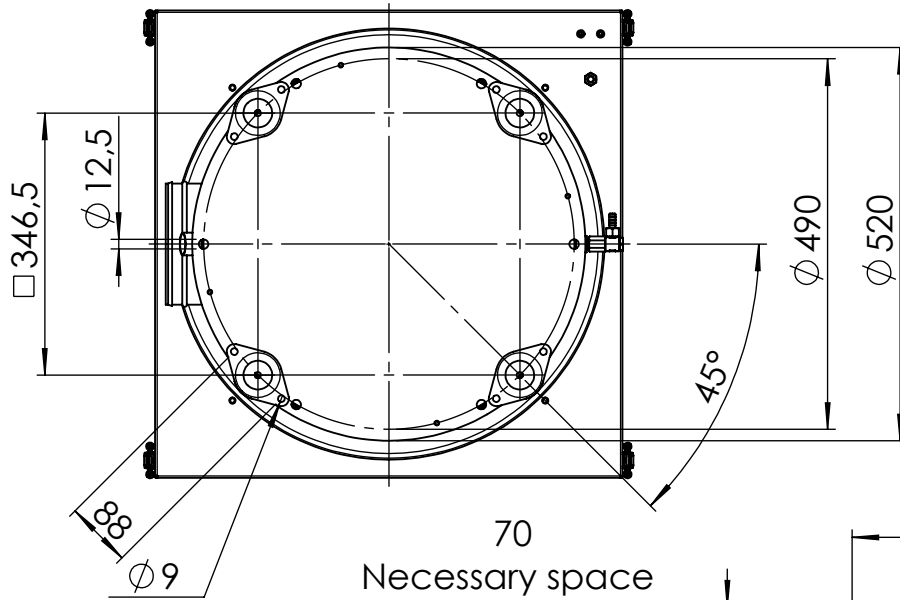


This document is property of 3nine AB and may not without our written permission be copied, imparted to a third party or used for any unauthorized purpose.



Surface conditioning		Heat treatment			Scale 1:10
General tolerance SS-ISO 2768		General roughness, Ra			
Drawn 051216 Sign JSg		Denomination			
Check. Sign		<h1>Petra dimension drawing</h1>			
Article nr.		Drawing nr.		Sheet 1 of 1	Mod.
		310-247			C

A

B

C

D

1

2

3

4

5

6